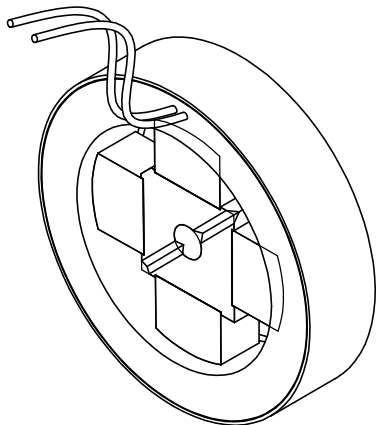
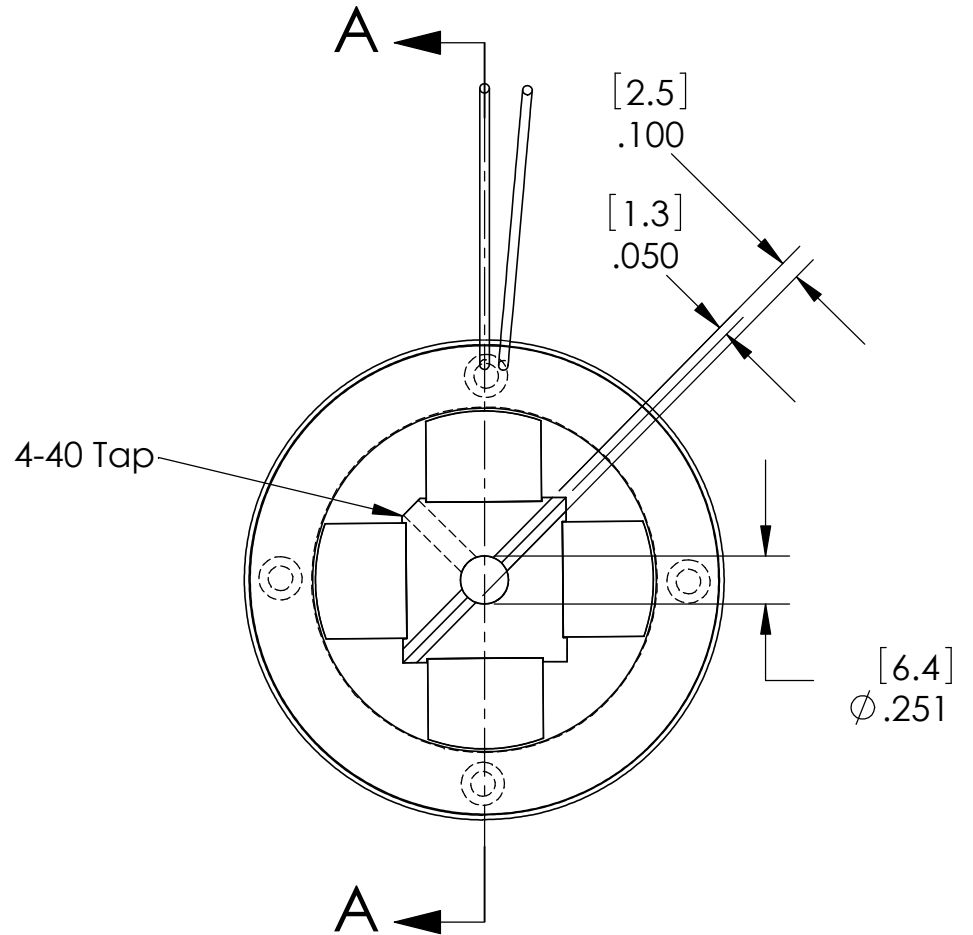
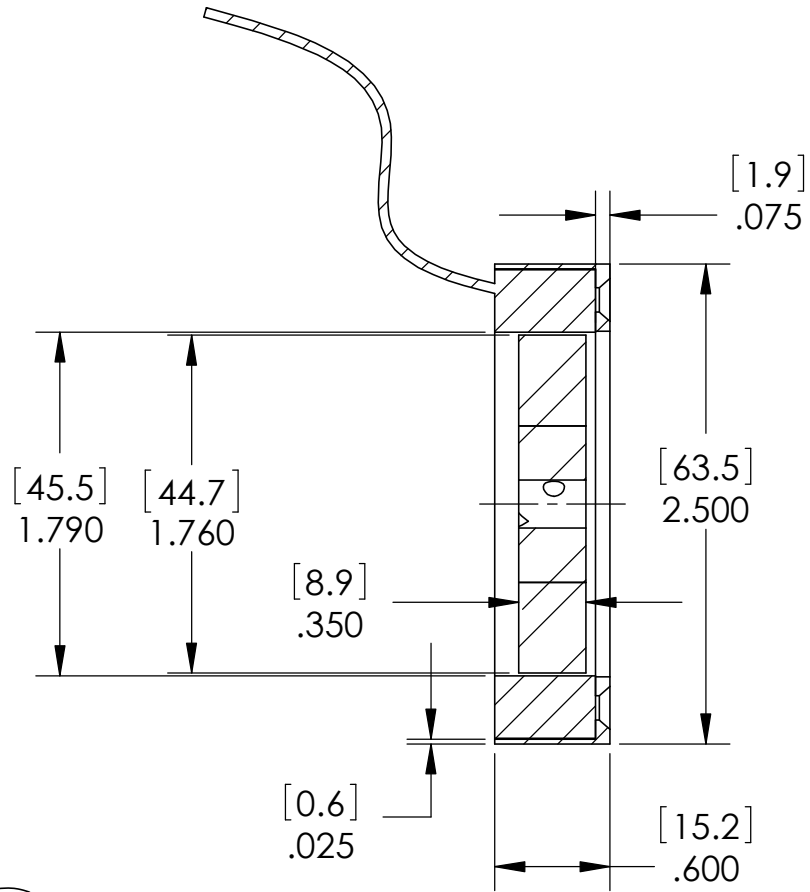


These drawings and specifications are the property of H2W Technologies, Inc. They are issued in confidence and shall not be reproduced, copied, or used without written permission from H2W Technologies, Inc.



SECTION A-A

H2W Technologies, Inc.

28310-C Ave Crocker Valencia, CA 91355 USA
 Tel: (661)-702-9346 Fax: (661)-702-9348
 www.h2wtech.com

UNLESS SPECIFIED OTHERWISE:
 All dimensions are in inches
 Standard Tolerances are as follows
 .XXX ±.005 ANGLES ±1°
 .XX ±.010 FILLETS AND
 X ±.020 CORNERS .010
 Remove All Burrs and Sharp Edges

MATERIAL				-
FINISH				-
DRAWN	DATE	APPROVED	DATE	
JRM	04-02-03	MPW	04-02-03	

TITLE				Limited Angle Torque Motor Model #TMR-040-25-010-4
DWG #	REV	Sheet		1 of 2
80-0061	A			

LIMITED ANGLE TORQUE MOTOR SPECIFICATIONS

Motor P/N	TMR-040-25-010-4	
Continuous Torque Range	40 degrees	0.70 Radians
Radial Clearance	0.040" per side	1.01 mm per side
Bearing Type	None Provided	
Moving Mass	0.17 lbs*	76 grams*
Total Mass	0.37 lbs*	170 grams*
Resistance @ 20C (Single Coil Pair)	4.1 ohms + 10% / -5%	
Inductance @ 20C (Single Coil Pair)	1.40 mH*	
Electrical Time Constant (Single Coil Pair)	0.34 msec*	
Motor Constant (Single Coil Pair)	4.9 in-oz/SQRT(Watt)*	0.03 N-m/SQRT(Watt)*
Torque Constant (Single Coil Pair)	10 in-oz/Amp*	0.07 N-m/Amp*
Back EMF (Single Coil Pair)	0.15 Volts/rad/sec*	
Continuous Torque (Single Coil Pair)	10 in-oz*	0.07 N-m*
Max Power @ 100% Duty	4.2 Watts	
Peak Torque (Single Coil Pair)	30 in-oz*	0.21 N-m*
Max Power @ 10% Duty	38 Watts	
Rotor Inertia	0.90 oz-sq.in.	1.64 E-5 kg-sq.m

* Values based on calculations and are for reference only, actual values will be confirmed upon shipment. As a rule of thumb the values contained are +/- 10% unless otherwise stated within the table.

TITLE Limited Angle Torque Motor Model # TMR-040-25-010-4		
DWG #	80-0061	REV
		A
		SHEET 2 of 2